

Expressively Vulgar

The socio-dynamics of vulgarity and its effects on sentiment analysis in social media

Isabel Cachola, Eric Holgate, Daniel Preotiuc-Pietro, Junyi Jessy Li



Eric Holgate

@eholgate



Can't wait to hear more kickass talks today
at [#coling2018](#) in beautiful [#santafe!](#)
[#expressivelyvulgar](#)

7:07 AM - 23 Aug 2018




Motivation

1 Vulgarity is prevalent in daily communication

2 Vulgarity is employed purposefully

3 Vulgarity is used for different goals

Motivation

 **Positive**
@vulgar1

today is a good ass day



2:48 PM - 6 May 2015

 **Negative**
@vulgar2

Luicious is gonna get his ass handed to him tonight



5:19 PM - 22 Feb 2016

 **Neutral**
@vulgar3

[URL] volunteering at the big ass indie art craft fair



2:48 PM - 6 May 2015

Research Questions

Do demographic factors impact the expression of vulgarity?

1

Does vulgarity impact perception of sentiment?

2

Does modeling vulgarity explicitly help sentiment prediction?

3

Agenda

- Data
- Demographic Analysis
- Perception of Vulgarity
- Modeling

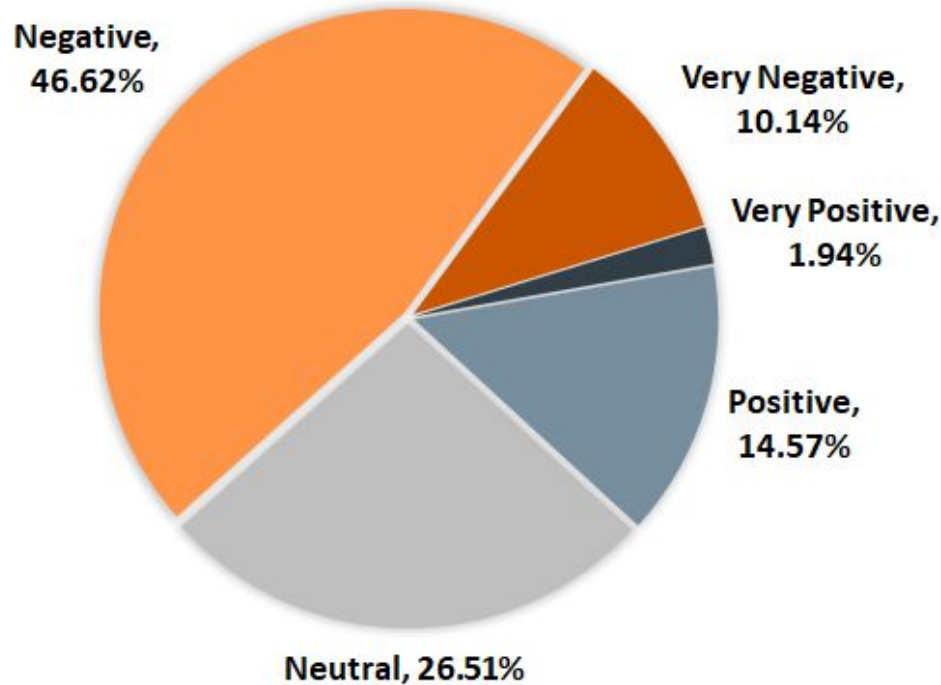
Data

- We introduce a corpus of 6,800 vulgar tweets annotated for sentiment
 - Sourced from 4,132 users with demographic info (Preotiuc-Pietro et al., 2017)
 - Gender, age, education, income level, faith, political ideology
 - Vulgarity defined with a list from www.noswearing.com
 - Regular expressions include spelling variation and self-censorship e.g., *damnnnnn* or *a\$\$*

Data

- Annotated for sentiment
 - MTurk: each tweet rated by 9 annotators
 - 5 point scale + Not Applicable
 - Annotators with agreement < 0.3 excluded
 - Tweets with < 5 annotations excluded
- Available at: <https://github.com/ericholgate/vulgartwitter>

Sentiment Distribution



Research Questions

Do
demographic
factors impact
the expression
of vulgarity?

1

Does vulgarity
impact
perception of
sentiment?

2

Does modeling
vulgarity
explicitly help
sentiment
prediction?

3

Demographic Analysis

Partial Pearson correlation

- Dependent variable: vulgar frequency (per user)
- Control for age & gender (e.g., Schwartz et al., 2013)

Demographic Trait	Pearson r	p-value
Gender	-0.077	1.61^{-4}
Age	-0.233	6.64^{-31}
Education	-0.100	7.62^{-07}
Income	-0.087	1.73^{-05}
Faith	-0.187	2.74^{-20}
Political Ideology	0.124	8.69^{-10}

Demographic Analysis

Results

- Females are less likely to post vulgar tweets than males
- Younger users and political liberals are more likely to post vulgar tweets
- Higher education, income, and faith are anti-correlated with usage of vulgarity

Demographic Trait	Pearson r	p-value
Gender	-0.077	1.61^{-4}
Age	-0.233	6.64^{-31}
Education	-0.100	7.62^{-07}
Income	-0.087	1.73^{-05}
Faith	-0.187	2.74^{-20}
Political Ideology	0.124	8.69^{-10}

Research Questions

Do
demographic
factors impact
the expression
of vulgarity?

1

Yes!

Research Questions

Do demographic factors impact the expression of vulgarity?

1

Does vulgarity impact perception of sentiment?

2

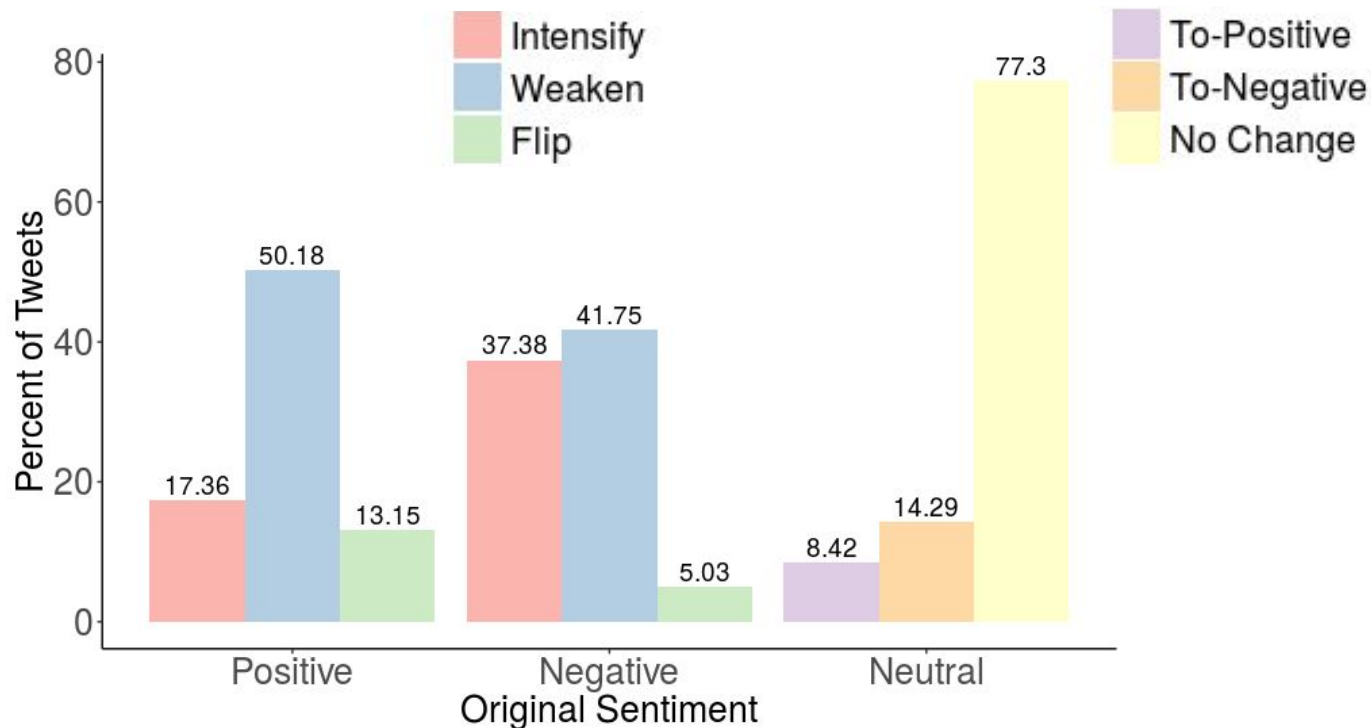
Does modeling vulgarity explicitly help sentiment prediction?

3

Perception of Vulgarity

- Subset of 5,681 tweets were censored and re-annotated for sentiment along the same guidelines
- Example
 - Original: mixing all the flavors together at the drink fountain was a good idea when i was 8 now it just makes a shitty drink
 - Censored: mixing all the flavors together at the drink fountain was a good idea when i was 8 now it just makes a _____ drink

Perception of Vulgarity



Research Questions

Does vulgarity
impact
perception of
sentiment?

2

Yes!

Research Questions

Do
demographic
factors impact
the expression
of vulgarity?

1

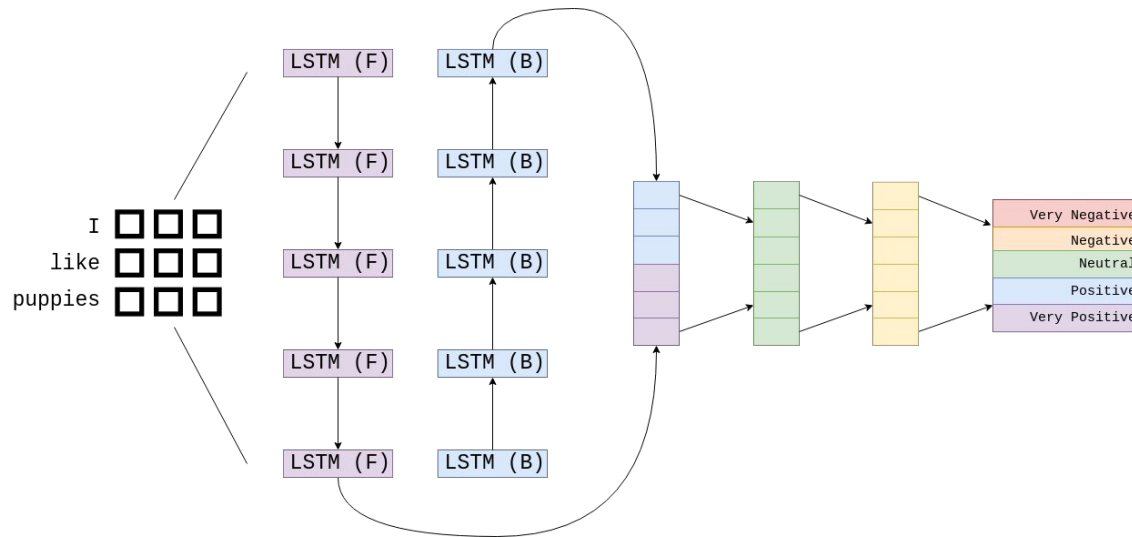
Does vulgarity
impact
perception of
sentiment?

2

Does modeling
vulgarity
explicitly help
sentiment
prediction?

3

Modeling



Baseline Architecture: Bidirectional LSTM

Modeling

1

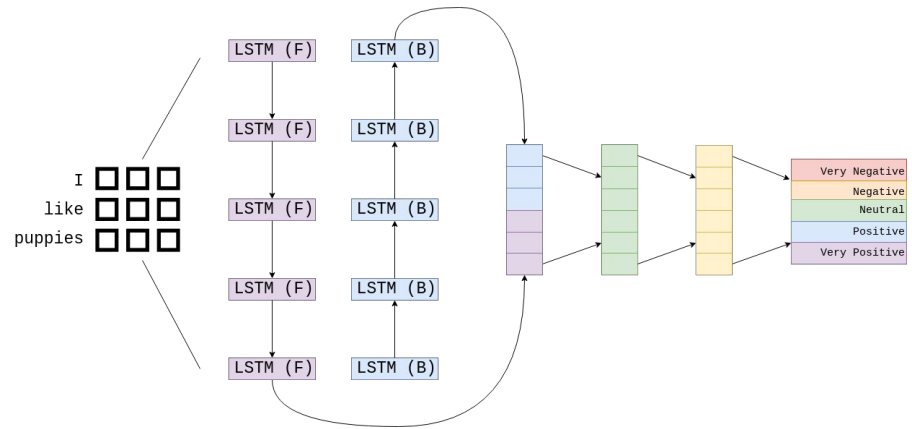
Masking: This is the <VG>.

2

Insertion: This is the shit <VG>.

3

Concatenation: This is the shit → 1



Modeling: Vulgar Twitter Results

Model	Bi-LSTM	Insertion	Concatenation	Masking
Error	0.791	0.759	0.761	0.898

Lower is better.

Modeling Examples

Text	True Label	Baseline Prediction	Insertion Prediction	Concat Prediction
welcome to my personal hell	Negative	Neutral	Negative	Negative
so fucking excited	Very Positive	Neutral	Negative	Negative

Modeling: SemEval 2017 Task 4 Results

Model	Bi-LSTM	Insertion	Concatenation	Masking
Error	1.320	1.068	1.148	1.666

Lower is better.

Research Questions

Does modeling
vulgarity
explicitly help
sentiment
prediction?

3

Yes!

Take Aways

- Vulgarity is intentional
 - It serves many pragmatic functions
 - The use of vulgarity impacts sentiment perception
- Vulgar frequency correlates with sociodemographic factors
- Modeling vulgarity is useful for NLP

Future Work

- Can we explicitly categorize and model pragmatic functions of vulgar words?

Spoiler Alert: Yes!

- EMNLP 2018:
Why Swear? Analyzing and Inferring the Intentions of Vulgar Expressions
Eric Holgate, Isabel Cachola, Daniel Preotiuc-Pietro, Junyi Jessy Li
- Categorize, annotate, and predict vulgar functions
 - Aggression
 - Emotion
 - Emphasis
 - Auxiliary
 - Signal Group Identity
 - Non-Vulgar Use
- Vulgar functions are useful downstream

Thank You!

Contact:

Isabel Cachola: isabelcachola@utexas.edu

Eric Holgate: holgate@utexas.edu